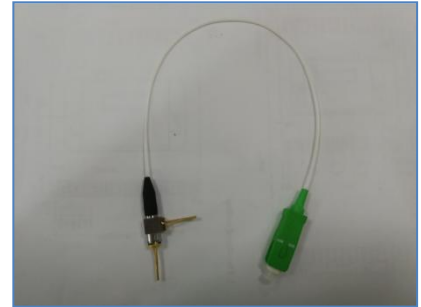




# Bi-directional Optical Sub Assembly

## Features

- Designed for short or long reach application
- InGaAs Photodiode
- Integrated 1610/1550nm WDM for a single fiber
- MQW DFB Laser device



## Specifications:

### Absolute Maximum Ratings

Parameter	Symbol	Min	Max.	Unit
LD Reverse Voltage	$V_{r(LD)}$	--	2	V
LD Forward Current	$I_{f(LD)}$	--	120	mA
Reverse Voltage (MPD)	$V_{r(MPD)}$	--	10	V
Input optical power	$P_{in}$	--	3	dBm
Operating Temperature	$T_{op}$	-20	85	
Storage Temperature	$T_{stg}$	-40	100	
Lead Solder Temperature	--	--	260	
Lead Soldering Time	--	--	2	s

### Transmitter Optical & Electrical Characteristics (T=25°C)

Parameter	Symbol	Test Condition	Min	Typ	Max	Unit
Threshold Current	$I_{th}$	25	--	12	20	mA
Forward Voltage	$V_f$	$I_{op}=I_{th}+20mA$	--	1.1	1.6	V
Monitor Current(MPD)	$I_m$	$I_{op}=I_{th}+20mA$	100	--	1000	uA
Dark Current(MPD)	$I_d$	$V_r=5V$	--	--	200	nA
Optical Output Power	$P_o$	$I_{op}=I_{th}+20mA$	1.0	--	3.2	mW
Slope Efficiency	SE	$I_{op}=I_{th}+20mA$	0.05	--	0.16	W/A
Central Wavelength		$I_{op}=I_{th}+20mA$	1607	1610	1613	nm
Spectral Width (-20dB)		$I_{op}=I_{th}+20mA$	--	--	1	nm
Side-mode Suppression Ratio	SMSR	$I_{op}=I_{th}+20mA$	30	--	--	dB
Optical Isolation	ISO	--	30	--	--	dB

### Receiver Optical/Electrical Characteristics

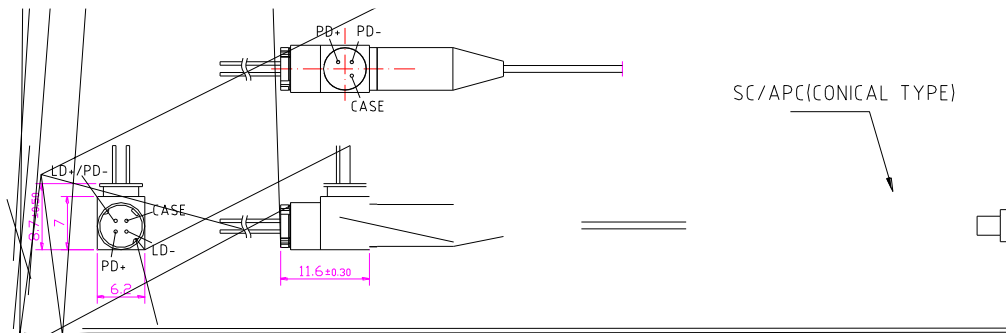


Parameter	Symbol	Test Condition	Min	Typ	Max	Unit
Responsivity	Res	1550nm	0.8	0.85	--	A/W
Dark Current	Id	--	--	--	2	nA
Optical Return Loss	ORL	1550nm	--	--	-40	dB
Operating Wavelength		--	1525	1550	1565	nm

### Optical Connector & Pigtail Characteristics

Parameter	Specifications	Remarks
Optical Port	Connector	SC/APC
	Fiber Color	white
	Fiber Length	22cm±3cm
	Fiber	SMF

### Mechanical Dimension and Pin Assignment:



### Order Information:

**BOSA 2.5G 1610nm DFB-1550PD**

□
Fiber Length
1m:1.0±0.1m
2m:2.0±0.1m
....



**Statement:**

SAN-U owns the authority for final explanation of all information contained in this document, which is subject to change without notice. All the information was obtained in particular environments; and SAN-U will not be responsible for the performance of the reference and shall not be considered as warranted characteristics. SAN-U will not be liable for damages arising directly or indirectly which from any use of the information contained in this document.

---

**Contact Information:**

Address: N501-505 Weiye Bldg., Xiamen Pioneering Park For Overseas Chinese Scholars, Xiamen, Fujian, China

Tel: +86-592-3898601, 3898608, 5318000

Fax: +86-592-5703588

Email: sales@san-u.com

<http://www.san-u.com>