



---

**B A- C 1.25**

:

**A :**

**A :**

**& C ( =25 C):**

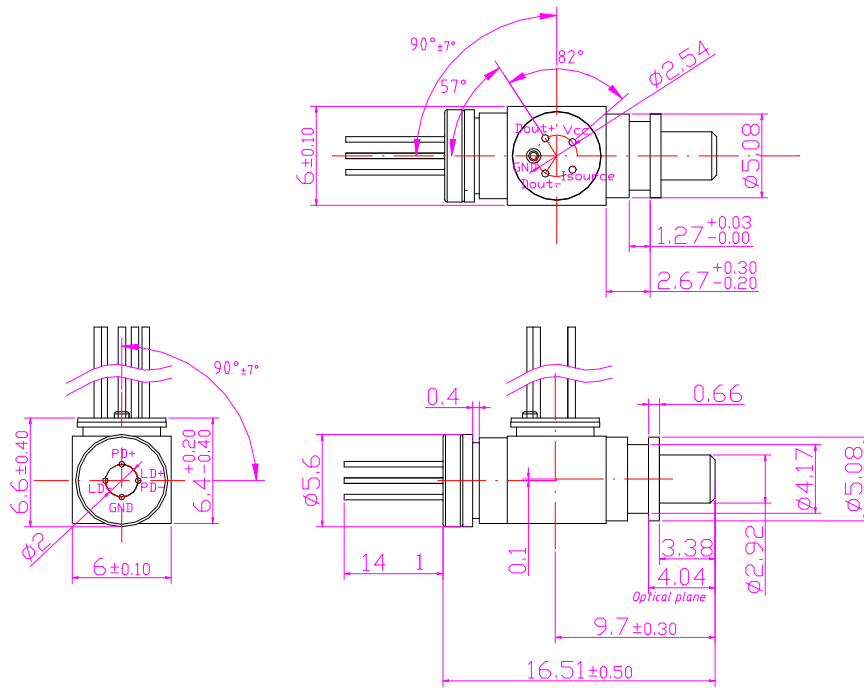
**C**

---



		C				

A





## B

